

AC REACTORS

ADVANTAGES

SK Electric designs and manufactures a broad range of transformers, reactors and inductors, these include an extensive line of standard products, as well as custom-built products.

We strive to make the most consistent and reliable power supplies in the world, driven by the following key principles;

- Diverse engineering capability.
- Stringent quality control.
- Highly skilled production staff.
- Control throughout our supply chain.
- Compliance with the highest international quality standards.
- Global customer support.
- Stringent intellectual property management practices.

These principles allow us to meet and exceed customers' requests whilst maintaining a competitive cost structure.

Our quality control includes 100% final testing to meet all required international industry standards and statistical process controls.

We lead in the development of methods to meet UL and TUV safety specifications. We have developed effective state of the art design and manufacturing techniques for high-volume self-supporting coils, high frequency high voltage transformers, EI transformers, toroidal transformers, reactors and many other power solutions.

Whether you require a standard, off-the-shelf unit, or one customized unit to fit your exacting requirements, SK Electric expert sales and engineering staff will work closely with you to meet your needs.

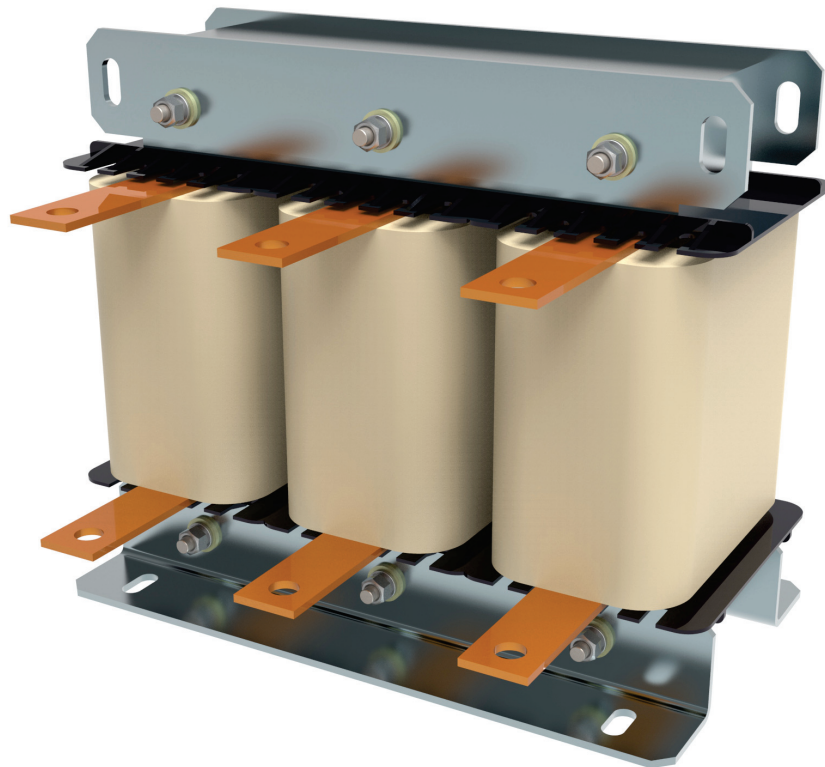
SK Electric has become synonymous with, on-time delivery, and uncompromised quality, which is the reason we have been nominated by our suppliers numerous times as their best global supplier.

APPLICATIONS

- Medical
- Transport
- Industrial equipment
- Renewable energy
- Defence
- Power supplies

STANDARDS

- IEC60076-6



SK Electric

AC REACTORS

Technical Specifications:

Rated line voltage: 500Vac max

Rated current: 40-600Aac

Rated frequency: 50/60Hz

Insulation Class: Class H (180°C max)

Protection Class: IP00

Operating Temperature: 0°C - 40°C

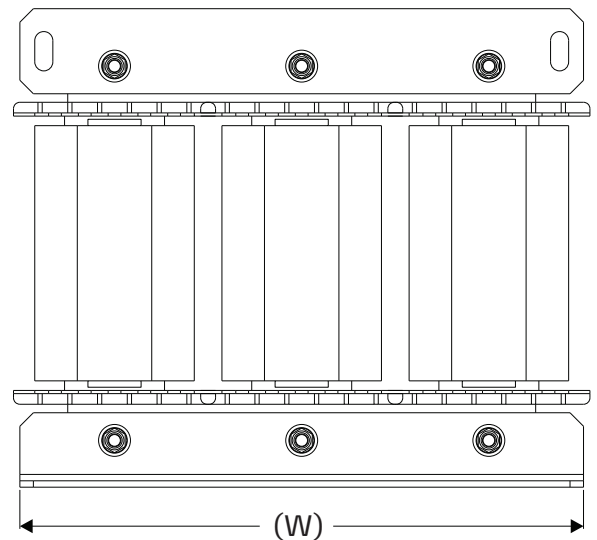
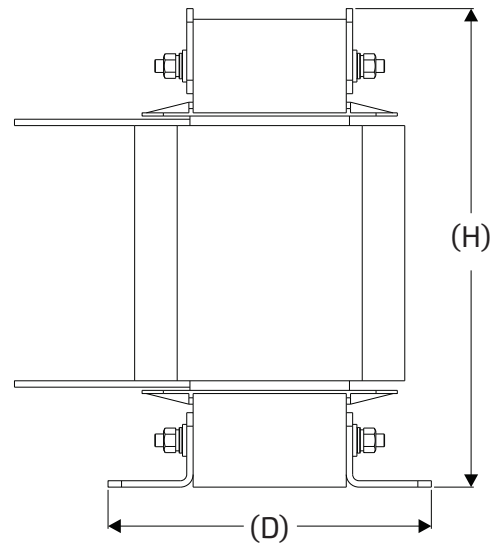
HV test: 3,000Vrms Hipot

Elevation above sea level: 2,000m Max

Not all customers have the same requirements, so here at SK Electric we work with you to develop a solution that best meets your needs. We covers all aspects from, standards and certifications to, specific input and output requirements, labelling, mounting options, packaging etc.

We can supply standalone transformers, or incorporate additional components, assemble subassemblies and manufacture complete finished products. All manufactured and tested to your specifications.

MODEL	RATED CURRENT	INDUCTANCE (mH)	(H) (ALL DIMENSIONS IN MM)	(W)	(D)	WEIGHT (KG)
LR-3P-040A	40	1.6	87	120	170	22
LR-3P-050A	50	1.27	104	135		27
LR-3P-060A	60	1.06	108	140	170	29
LR-3P-080A	80	0.8	93	135	225	36
LR-3P-100A	100	0.64	99	140		45
LR-3P-150A	150	0.42	114	155	260	58
LR-3P-200A	200	0.32	124	165		70
LR-3P-250A	250	0.25			85	
LR-3P-300A	300	0.21	126	170	280	100
LR-3P-400A	400	0.16	141	185		119
LR-3P-500A	500	0.13	177	215	345	128
LR-3P-600A	600	0.11			355	140



AUSTRALIA
PO Box 1161 Ashfield 1800 Sydney
Australia
PH : +612 888 07675
Email : contact.au@sktrans.com
Web : www.skelectric.com.au

CHINA
No. 1050 Xingqing Rd, Shanghai, China
PH : 86-21-39538715
Email : contact.cn@sktrans.com
Web : www.sktrans.com

EUROPE
Am alten Bahndamm 87, D-12529
Schoenefeld, Germany
PH : +49 175 569 4642
Email : contact.eu@sktrans.com
Web : www.skelectric-powersupply.com