

R-CORE TRANSFORMERS 5VA-3kVA

ADVANTAGES

Shape: R-core transformers are uniquely manufactured through the cutting and winding of an uninterrupted single length of high B grade electrical steel. The circular cross-section of the core results in high performance, smaller size, reduced impedance, improved heat losses and lower leakage of magnetic flux.

Efficiency: Efficiency ratings exceeding 97% are generally achieved through SK design.

Leakage flux: Low leakage flux is a hallmark characteristic of R-core's one piece core design, leading to higher efficiencies.

Winding: Special winding machines and highly skilled staff ensure consistent accurately spaced windings on all transformers.

Exciting current: Due to the unique design of the uninterrupted one piece lamination core, the exciting current is minimized as all the magnetic paths are in alignment with the rolling direction of the electrical steel.

Insulation: Two bobbins are used to ensure complete separation between primary and secondary windings, allowing to meet the highest safety standards and increased dielectric strength.

Heat: Heat generation is minimal due to low iron loss. The larger surface area of the coil allows for better heat dissipation.

Mounting: Through SK Electric's transformer design expertise, and R-core's minimal weight characteristics, we can customise transformers to suit any available spaces, installed either horizontally or vertically.

APPLICATIONS

- CRT display units
- Satellite receivers
- Medical imaging equipment
- Surgery room equipment
- Railway and transportation
- Shipping and logistic industry
- Industrial machinery and tools
- Office automation equipment
- Electrical weighing scales
- Control circuit power
- Security industry
- Audio equipment
- Consumer electronics
- Power supply industry

STANDARDS

- UL/IEC/EN 60601-1
- UL/IEC/EN 61558-1
- UL 1411



R-CORE TRANSFORMERS 5VA-3kVA

Technical Specifications:

Rated power: 5VA to 3kVA

Rated frequency: 50/60Hz

Insulation class: Class B/H

Temperature rise: (AMB_{max} ≤40°C) : ≤90°C/140°C

Protection class: IP00

Cooling method: Natural air

Noise: ≤50dB

HV test: Primary/Secondary and

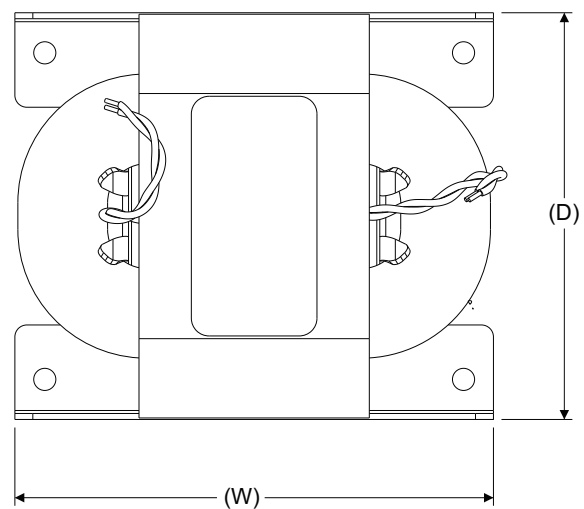
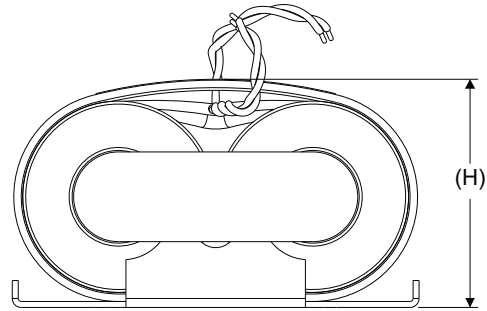
GND/Primary/Secondary: 1,500VAC/50Hz/60s

Elevation above sea level: 3,000m max

Not all customers have the same requirements, so here at SK Electric we work with you to develop a solution that best meets your needs. We covers all aspects from, standards and certifications to, specific input and output requirements, labelling, mounting options, packaging etc.

We can supply standalone transformers, or incorporate additional components, assemble subassemblies and manufacture complete finished products. All manufactured and tested to your specifications.

Model	Power VA	(H) (ALL DIMENSIONS IN MM)	(W)	(D)	WEIGHT (KG)
R-5	5	64	45	41	0.29
R-6	6	64	56	41	0.3
R-7	7	72	65	43	0.32
R-10	10	79	70	45	0.34
R-15	15	80	75	50	0.45
R-20	20	84	75	51	0.52
R-25	25	86	78	50	0.6
R-30	30	98	82	52	0.7
R-35	35	101	88	57	0.9
R-40	40	100	90	55	0.95
R-50	50	102	96	60	1
R-65	65	106	98	62	1.2
R-80	80	125	100	65	1.4
R-100	100	126	110	70	1.96
R-160	160	140	128	75	2.6
R-260	260	160	130	80	3.1
R-320	320	164	142	92	3.8
R-600	600	190	155	100	6
R-1000	1,000	227	190	115	10.2
R-1500	1,500	245	190	115	15.5
R-2000	2,000	250	220	130	20.2
R-3000	3,000	275	231	135	23.5



AUSTRALIA
PO Box 1161 Ashfield 1800 Sydney
Australia
PH : +612 888 07675
E-mail : contact.au@sktrans.com
Web : www.skelectric.com.au

CHINA
No. 1050 Xingqing Rd, Shanghai, China
PH : 86-21-39538715
E-mail : contact.cn@sktrans.com
Web : www.sktrans.com

EUROPE
Am alten Bahndamm 87,D-12529
Schoenefeld, Germany
PH : +49 175 569 4642
E-mail : contact.eu@sktrans.com
Web : www.skelectric-powersupply.com

 **SK Electric**