

SINGLE PHASE EI TRANSFORMERS 40VA - 8kVA

ADVANTAGES

SK Electric designs and manufactures a broad range of transformers, reactors and inductors, these include an extensive line of standard products, as well as custom-built products.

We strive to make the most consistent and reliable power supplies in the world, driven by the following key principles;

- Diverse engineering capability.
- Stringent quality control.
- Highly skilled production staff.
- Control throughout our supply chain.
- Compliance with the highest international quality standards.
- Global customer support.
- Stringent intellectual property management practices.

These principles allow us to meet and exceed customers' requests whilst maintaining a competitive cost structure.

Our quality control includes 100% final testing to meet all required international industry standards and statistical process controls.

We lead in the development of methods to meet UL and TUV safety specifications. We have developed effective state of the art design and manufacturing techniques for high-volume self-supporting coils, high frequency high voltage transformers, EI transformers, toroidal transformers, reactors and many other power solutions.

Whether you require a standard, off-the-shelf unit, or one customized unit to fit your exacting requirements, SK Electric expert sales and engineering staff will work closely with you to meet your needs.

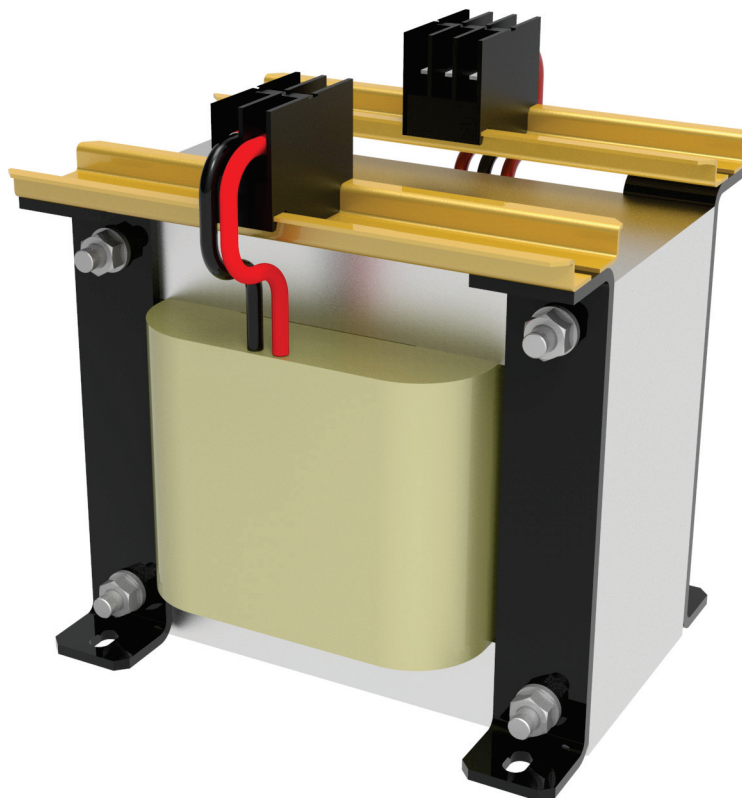
SK Electric has become synonymous with, on-time delivery, and uncompromised quality, which is the reason we have been nominated by our suppliers numerous times as their best global supplier.

APPLICATIONS

- Medical
- Transport
- Industrial equipment
- Renewable energy
- Defence
- Consumer electronics
- Power supplies

STANDARDS

- UL/IEC/EN 60601-1
- UL/IEC/EN 61558-1
- UL 1411



SINGLE PHASE EI TRANSFORMERS 40VA - 8kVA

Technical Specifications:

Rated Power: 40VA to 8.0kVA

Rated frequency: 50/60Hz

Insulation Class: Class B , Class F

Protection Class: IP00

Cooling method: Natural air

Noise: ≤65dB

Temperature rise: ≤90 °C (Class B) , ≤115 °C (Class F)

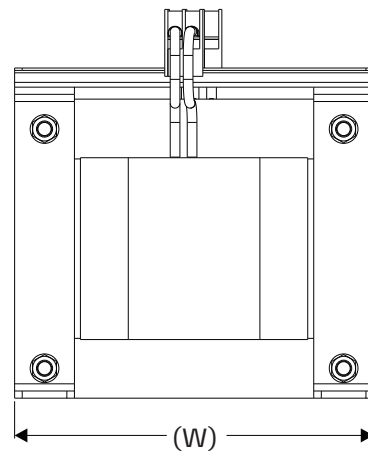
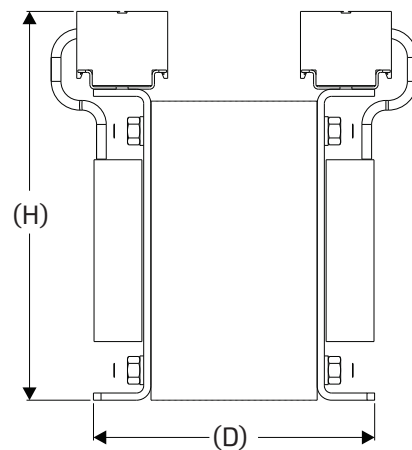
HV test: 3,000Vrms Hipot

Elevation above sea level: 3,000m max

Not all customers have the same requirements, so here at SK Electric we work with you to develop a solution that best meets your needs. We covers all aspects from, standards and certifications to, specific input and output requirements, labelling, mounting options, packaging etc.

We can supply standalone transformers, or incorporate additional components, assemble subassemblies and manufacture complete finished products. All manufactured and tested to your specifications.

Model	Power VA	(H) (ALL DIMENSIONS IN MM)	(W)	(D)	WEIGHT (KG)
DG-40	40	108	76.5	64	1.6
DG-50	50				2
DG-60	60				2.6
DG-100	100	120	96.5	80	3.3
DG-120	120				4
DG-150	150	130	105.5	87.5	4.4
DG-200	200				6.2
DG-250	250				6.6
DG-300	300	144	115	95	7.9
DG-350	350				8.7
DG-400	400	150	133.2	110	9.1
DG-500	500				10.6
DG-600	600				12.9
DG-700	700	170	151	125	14.1
DG-1000	1,000	240	179	115	23.5
DG-1200	1,200				28
DG-1300	1,300				32
DG-2100	2,100	255	200	140	31.3
DG-5000	5,000	305	262	190	59.5
DG-6000	6,000				72
DG-8000	8,000				105



AUSTRALIA
PO Box 1161 Ashfield 1800 Sydney
Australia
PH : +612 888 07675
E-mail : contact.au@sktrans.com
Web : www.skelectric.com.au

CHINA
No. 1050 Xingqing Rd, Shanghai, China
PH : 86-21-39538715
E-mail : contact.cn@sktrans.com
Web : www.sktrans.com

EUROPE
Am alten Bahndamm 87,D-12529
Schoenefeld, Germany
PH : +49 175 569 4642
E-mail : contact.eu@sktrans.com
Web : www.skelectric-powersupply.com



SK Electric